



PROGRESSIVE CAVITY PUMPS MH HYGIENIC series



The new MH series self-priming progressive cavity pumps are available in five sizes MH 55-65-80-100-125. All the wetted parts are made out of stainless steel AISI 316L polished with surface finishing of 0.8 micron; stator and all other gaskets can be of different materials. The renewed design makes these pumps without any dead spots and complying with all the applications with the highest hygienic requirements like food, pharmaceutical and cosmetics. The MH pumps are suitable to pump high viscosity media. Thanks to the delicate and constant flow and, on the biggest sizes, they are able to pump media with solid contents.



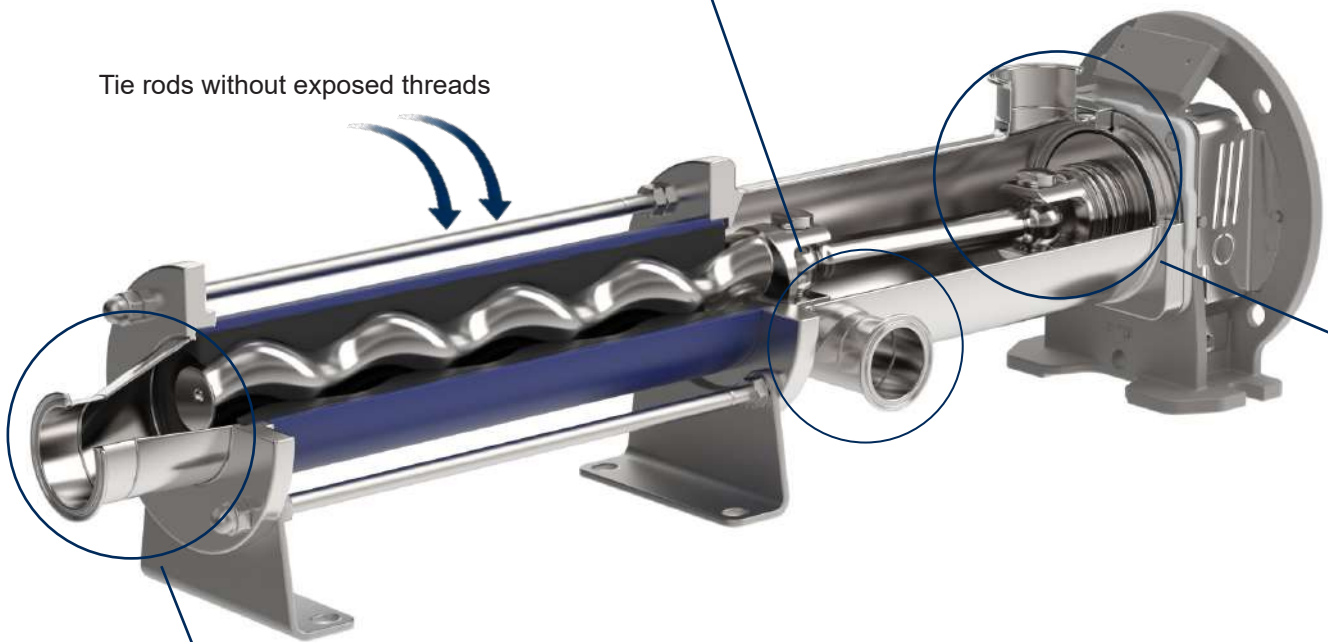
Numerous pumpable food products: creams, sauces, tomato concentrate, fruit purées, chocolate, pastry creams and batters, jams, ragout, yoghurt, melted cheese, beverages, concentrates, juices.



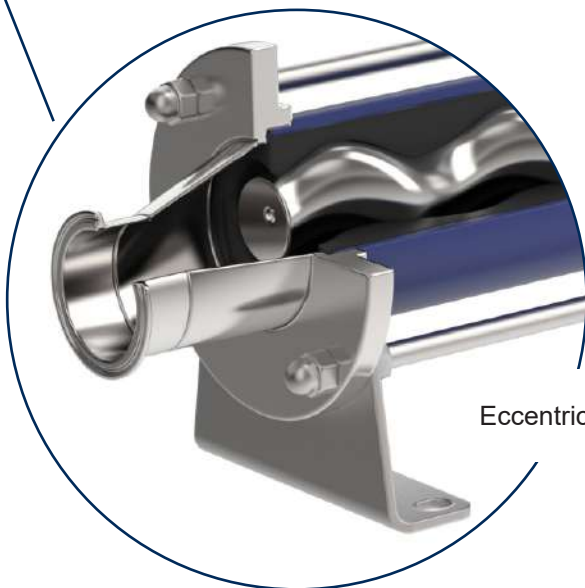
CIP self-draining flushing connection
on the suction chamber



Tie rods without exposed threads



Eccentric outlet port without any dead spots



TECHNICAL DATA

Available in single stage, double stage and long pitch design.

Flow rate up to 70 m³/h

Head values up to 12 bar

Temperature range: -20°C to +100°C (verify in according to the gasket type)

Seals:

Bi-directional mechanical seal with design created to facilitate cleaning.

Stator materials:

NBR black and white, EPDM (compliant with reg. (EC) No. 1935/2004 and FDA regulation)

FKM rubber Fluoroelastomer (FDA regulation).

Seal materials:

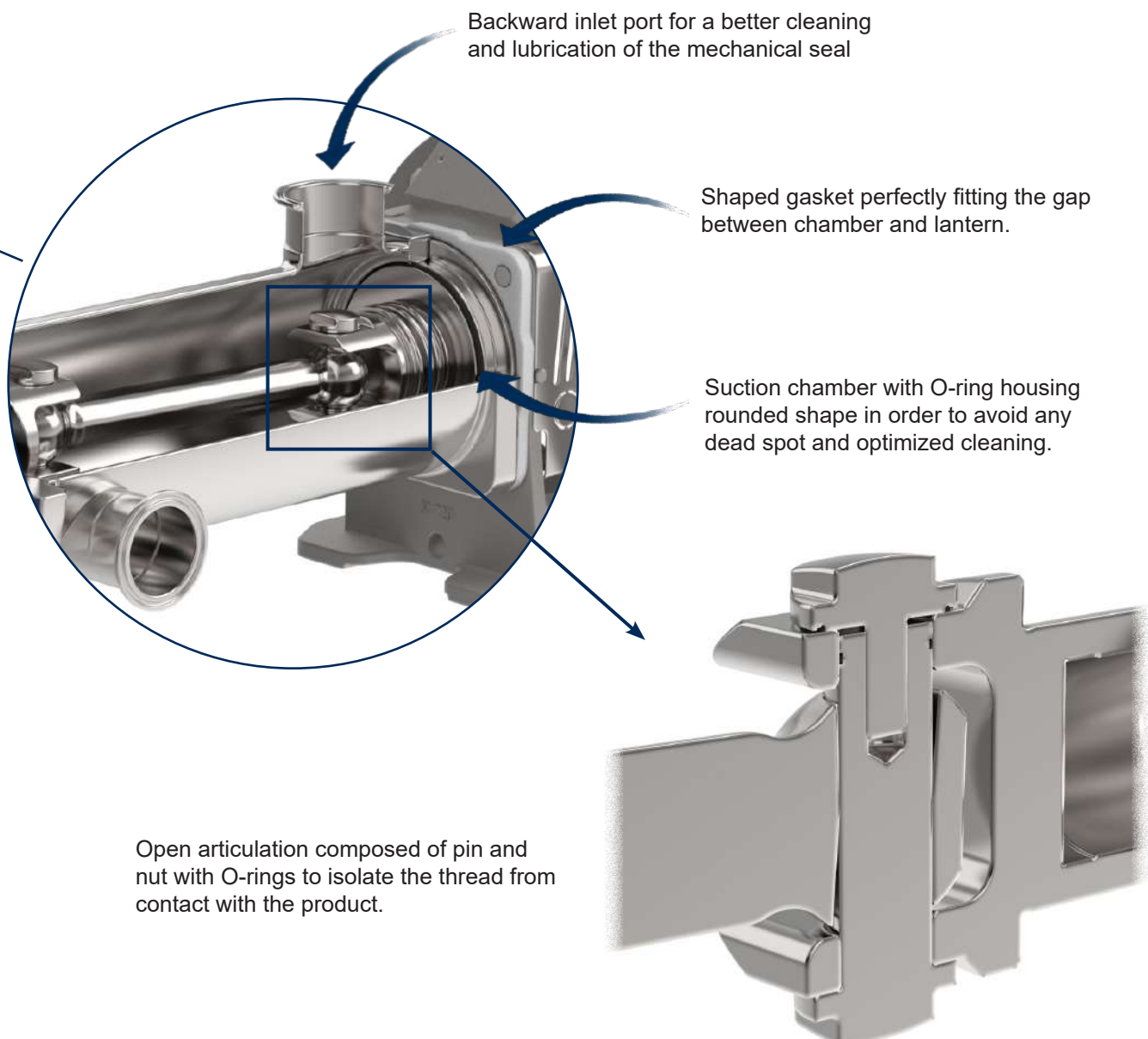
NBR (compliant with reg. (EC) No. 1935/2004 and FDA regulation)

EPDM (compliant with reg. (EC) No. 1935/2004 and FDA regulation)

Fluorocarbon (FDA regulation)

Connections:

Clamp DIN32676-C (std version), on request available DIN11851 - SMS - DIN11864



MHE hygienic pumps can be mounted on trolley and equipped with electronic control systems such as:

- Inverter LS (QLS series);
- Electrical panel in stainless steel housing with HMI panel (QTW series);
- Decentralized NORD inverter with stainless steel panel and HMI (QNW series).

Ex. MHE series with trolley and
LS INVERTER

